

**HELICAL ANTENNA INSTRUCTIONS**

**IMPORTANT**

Always perform a "walk around" test to verify coverage before using a wireless system during a performance. Experiment with antenna placement to find the optimum location.

**MOUNTING THE ANTENNA**

The reversible antenna mounting adapter is designed for standard microphone stands. It has U.S. standard 5/8 inch- 27 threads per inch (5/8"-27) on one end and European standard 3/8 inch-16 threads per inch (3/8"-16) on the other end.

**HOW TO AIM THE ANTENNA**

Position the antenna with the narrow end aimed at the performance area. Position your eyes 12 inches (30 cm) behind the antenna. Close one eye and look through the rear end of the antenna, toward the performance area. The view through the diameter of the round rear plate is approximately 57 degrees - the beamwidth of the antenna.

**VITAL STATISTICS**

- **Transmit/Receive**
- **Bandwidth 460 - 900 MHz**
- **57 Degree Beamwidth**
- **BNC Female RF Connector**  
("N" connector model available from Masque Sound)

**ENGINEERING DATA SPECIFICATIONS**

**RF Frequency Range / Bandwidth**

460 - 900 MHz

**Impedance**

50 ohms

**Beamwidth**

57 degrees

**Antenna Gain**

14 dBi (on axis)

**Front-to-Back Ratio / Rear Rejection**

30 dB

**DC/AC Power Source**

Not required

**RF Connector**

BNC female, right angle

**Dual Mounting Adapter**

5/8"-27 U.S. standard

3/8"-16 European standard

**Antenna Cable Retainer**

Plastic clamp on rear of antenna

**Estimated Operating Temperature**

-30 degrees F to 180 degrees F [-34 degrees C to 80 degrees C]

**Construction Material**

Clear Polycarbonate plastic

**Net Weight**

3lbs 11oz (1.7 kg)

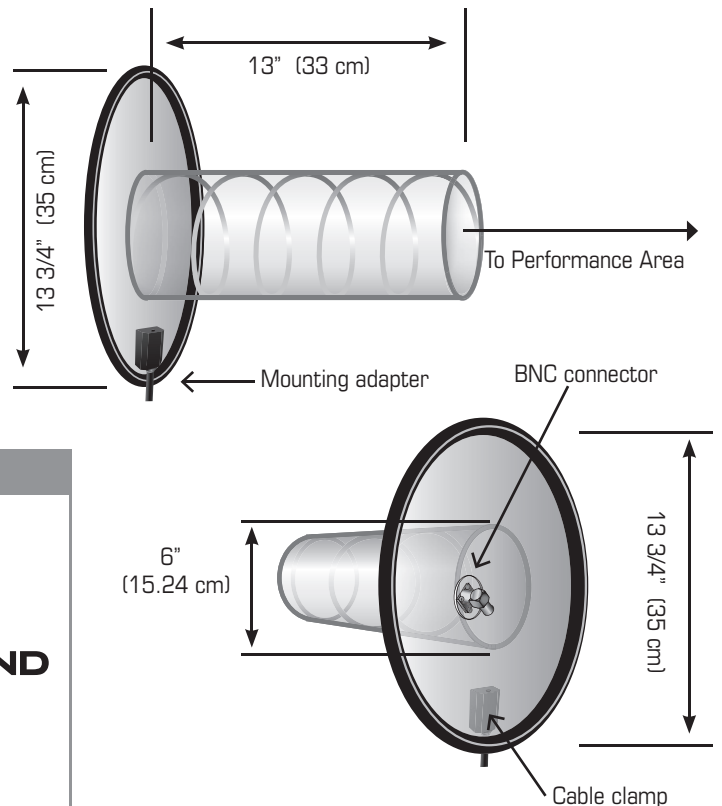
**Shipping Weight**

5lbs (2.3 kg)

**Shipping Dimensions**

14" x 14" x 14" (36 x 36 x 36 cm)

**ENGINEERING DIAGRAMS**



For More Information Contact Our Sales Department at:

407-240-2880

9468 American Eagle Way Suite 100 Orlando, FL 32837-8380

[www.professionalwireless.com](http://www.professionalwireless.com)

© 2006 Professional Wireless Systems, A Masque Sound Company. All Rights Reserved Sheet # MAS 06-0007



Distributed by:

