



I/O-8 4-Wire to XLR Patch Panel



The I/O-8 can interface with the following systems using any standard Cat5/6 network cable.

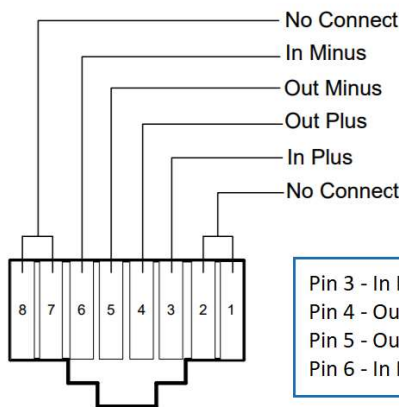
- Clear-Com Eclipse w/ HVX-A16-HX card
- Radio Active Designs UV-1G Base Stations
- Telex BTR Base Stations (with RJ-11 to RJ45 cable)
- Clear-Com FreeSpeak Base II (with Port Function set to 'To Panel').

Pliant CrewCom systems require a custom crossover cable, available from PWS.

The I/O-8 can also be used with other intercom systems or 4-wire applications not listed above.

Compare the RJ-45 pinout of the device to the pinout shown below to check compatibility.

I/O-8 RJ-45 Pinout:



Pin 3 - In Plus - F XLR 2
 Pin 4 - Out Plus - M XLR 2
 Pin 5 - Out Minus - M XLR 3
 Pin 6 - In Minus - F XLR 3

Follow the instructions below to setup your FreeSpeak II Base II 4-wire ports for use with the I/O-8.

Port function should be set to **'To Panel'**.

Port function (to matrix or to panel)

Check this function whenever you are connecting 4-wire devices.

About port function

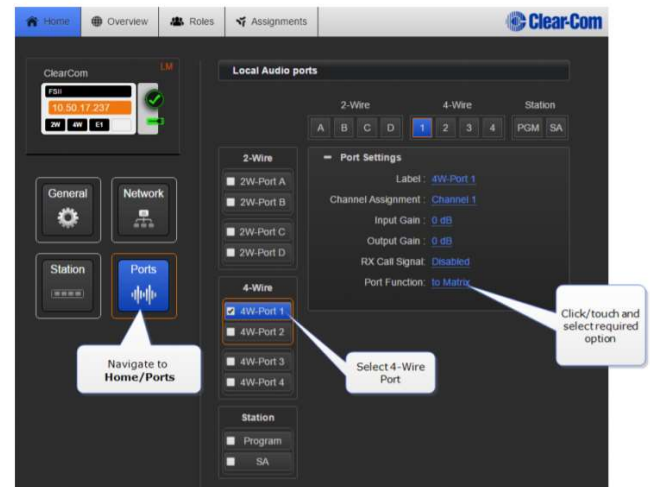
Clear-Com products are designed so matrices can connect directly to panels/Base Station/main station using a straight-through CAT 5/6 (Ethernet) cable. The pin assignments (inputs and outputs) on these devices are complementary. Previously, a crossover cable was necessary when connecting Bases to other Bases. It is no longer necessary to use a crossover cable as there is now a Port Function toggle which changes pinouts as required. This function is found in port options and can be set from the CCM or the Base Station front panel menus.

Pin assignments

Port Function pin assignments	Pin	
	To Panel/Base Station	To Matrix
1		
2		
3	Audio in +	Audio out +
4	Audio out +	Audio in +
5	Audio out -	Audio in -
6	Audio in -	Audio out -
7		
8		

Setting port function

From the CCM:



From the Base Station:

