



## I/O-8 4-Wire to XLR Patch Panel



The I/O-8 can interface with the following systems using any standard Cat5/6 network cable.

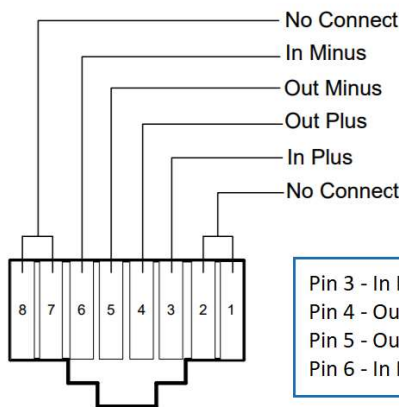
- Clear-Com Eclipse w/ HVX-A16-HX card
- Radio Active Designs UV-1G Base Stations
- Telex BTR Base Stations (with RJ-11 to RJ45 cable)
- Clear-Com FreeSpeak Base II (with Port Function set to 'To Panel').

Pliant CrewCom systems require a custom crossover cable, available from PWS.

The I/O-8 can also be used with other intercom systems or 4-wire applications not listed above.

Compare the RJ-45 pinout of the device to the pinout shown below to check compatibility.

### I/O-8 RJ-45 Pinout:



- Pin 3 - In Plus - F XLR 2
- Pin 4 - Out Plus - M XLR 2
- Pin 5 - Out Minus - M XLR 3
- Pin 6 - In Minus - F XLR 3

Follow the instructions below to setup your FreeSpeak II Base II 4-wire ports for use with the I/O-8.

Port function should be set to 'To Panel'.

### Port function (to matrix or to panel)

Check this function whenever you are connecting 4-wire devices.

### About port function

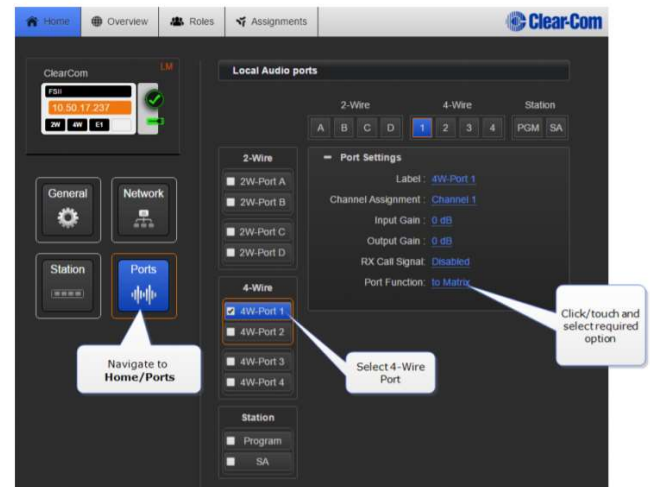
Clear-Com products are designed so matrices can connect directly to panels/Base Station/main station using a straight-through CAT 5/6 (Ethernet) cable. The pin assignments (inputs and outputs) on these devices are complementary. Previously, a crossover cable was necessary when connecting Bases to other Bases. It is no longer necessary to use a crossover cable as there is now a Port Function toggle which changes pinouts as required. This function is found in port options and can be set from the CCM or the Base Station front panel menus.

### Pin assignments

Port Function pin assignments	Pin	
	To Panel/Base Station	To Matrix
1		
2		
3	Audio in +	Audio out +
4	Audio out +	Audio in +
5	Audio out -	Audio in -
6	Audio in -	Audio out -
7		
8		

### Setting port function

From the CCM:



From the Base Station:

